

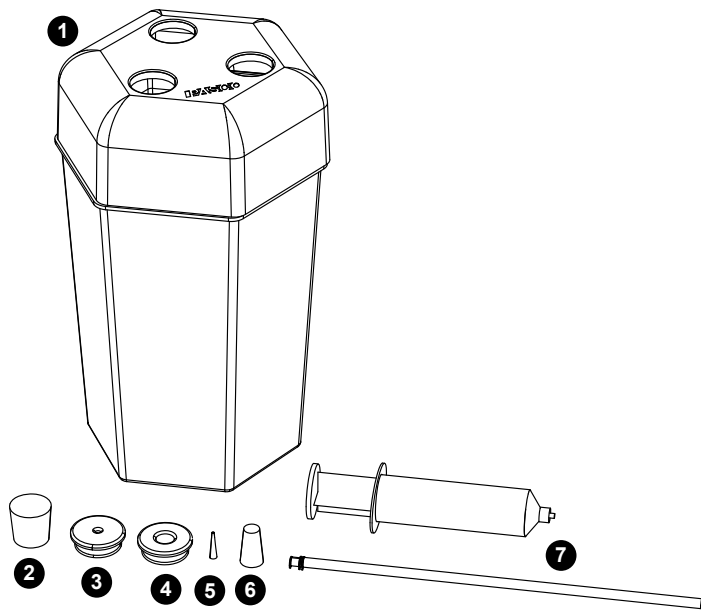
PASCO

EcoChamber

ME-6667

Product Guide
012-10652B

What's included



1. EcoChamber with lid
2. 2× Stopper, #5
Use for plugging the holes on the EcoChamber lid.
3. 3× Stopper, single, small hole
Use for inserting a small diameter probe, such as a temperature sensor probe.
4. 2× Stopper, single, large hole
Use for inserting a large diameter probe, such as the pH sensor probe.
5. 3× Stopper, #0000000
Use for plugging the single, small hole stopper.
6. 2× Stopper, #00
Use for plugging the single, large hole stopper.
7. Syringe and plastic tubing
Use for sampling water, replenishing water, and injecting pollutants.

About the product

The EcoChamber is designed to help students model and understand the complex interactions within ecosystems. The clear acrylic EcoChamber is designed to accommodate PASCO sensors, making qualitative and quantitative measurements as easy as visual observation.

The unique design of the EcoChamber allows the system to remain closed, which allows for measurements to have a minimal impact on the system. Environmental science probes can be used to actively measure variables in the ecosystem model. A syringe and tubing are included to extract water for chemical testing, replenish water without opening the system, and inject pollutants for chamber manipulation.

Experiments

Download one of several student-ready activities from the PASCO Experiment Library that use the EcoChamber. Experiments include editable student handouts and teacher notes. Go to pasco.com/freelabs/ME-6667 to access the files.

Specifications and accessories

Visit the product page at pasco.com/product/ME-6667 to view the specifications and explore accessories. Experiment files and support documents can also be found on the product page.

Technical Support

Need more help? Our knowledgeable and friendly Technical Support staff is ready to provide assistance with this or any other PASCO product.

| | |
|-----------------------|--|
| Phone (USA) | 1-800-772-8700 (Option 4) |
| Phone (International) | +1 916 462 8384 |
| Online | pasco.com/support |

Warranty, Copyright, and Trademarks

Limited Warranty

For a description of the product warranty, see the Warranty and Returns page at www.pasco.com/legal.

Copyright

This document is copyrighted with all rights reserved. Permission is granted to non-profit educational institutions for reproduction of any part of this manual, providing the reproductions are used only in their laboratories and classrooms, and are not sold for profit. Reproduction under any other circumstances, without the written consent of PASCO scientific, is prohibited.

Trademarks

PASCO and PASCO scientific are trademarks or registered trademarks of PASCO scientific, in the United States and/or in other countries. All other brands, products, or service names are or may be trademarks or service marks of, and are used to identify, products or services of, their respective owners. For more information visit www.pasco.com/legal.