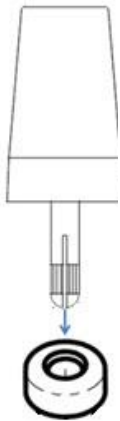
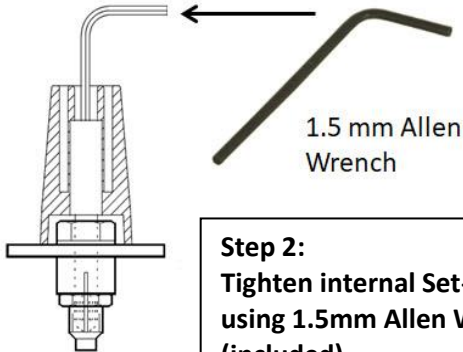


# Shrouded Connector Adapter

EM-8098



**Step 1:**  
Insert Safety Adapter into 4 mm Banana Plug Socket.



**Step 2:**  
Tighten internal Set-Screw using 1.5mm Allen Wrench (included)

## Technical Support

For assistance with any PASCO product, contact PASCO at:

Address: PASCO scientific  
10101 Foothills Blvd.  
Roseville, CA 95747-7100

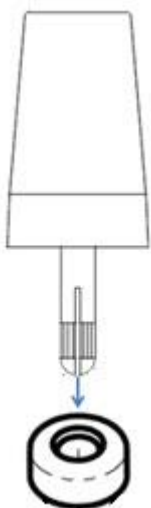
Phone: 916-786-3800 (worldwide)  
800-772-8700 (U.S.)

Email: [support@pasco.com](mailto:support@pasco.com)

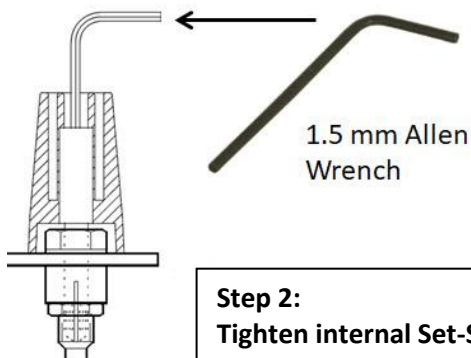
Web: [www.pasco.com](http://www.pasco.com)

# Shrouded Connector Adapter

EM-8098



**Step 1:**  
Insert Safety Adapter into 4 mm Banana Plug Socket.



**Step 2:**  
Tighten internal Set-Screw using 1.5mm Allen Wrench (included)

## Technical Support

For assistance with any PASCO product, contact PASCO at:

Address: PASCO scientific  
10101 Foothills Blvd.  
Roseville, CA 95747-7100

Phone: 916-786-3800 (worldwide)  
800-772-8700 (U.S.)

Email: [support@pasco.com](mailto:support@pasco.com)

Web: [www.pasco.com](http://www.pasco.com)