

Cart Replacement Axles

ME-6957

These axles are a replacement for the axles found on ME-9430 Plunger Cart (ME-9430), Collision Cart (ME-9454), PAScar (ME-6950), and GOcar (ME-6951).

Note: Replacement of axles on a Smart Cart (ME-1240 and ME-1241) can only be performed by a qualified PASCO technician.



What's Included

- 4x Replacement Axles

Plunger Cart and Collision Cart Axle Replacement

CAUTION:

Replacement of axles on a legacy cart (see figure) can result in injury and should only be performed by a qualified PASCO technician. It is highly recommended that the cart be sent to PASCO for axle replacement.

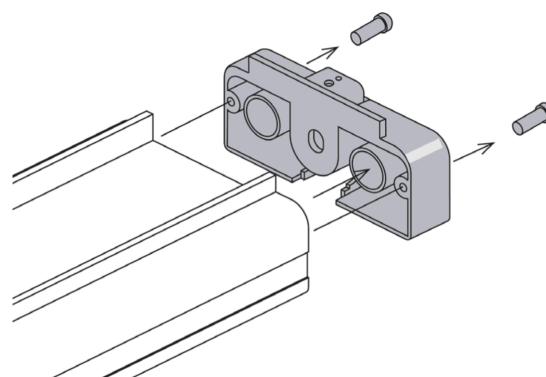


CAUTION: Edges on metal surfaces may cut the skin. Wear leather gloves.

CAUTION: Cart springs may eject suddenly when disassembling the cart. Wear safety goggles.

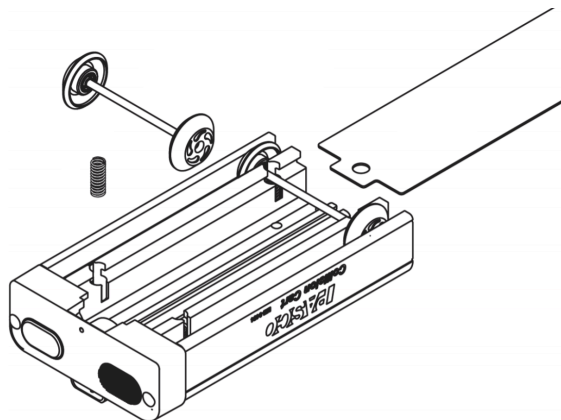
1. Using a #1 Phillips head screwdriver, loosen the screws from one end cap and remove the end cap from the cart.

Note: The screws are thread-forming screws and may require substantial force to remove and reinstall.



2. Place the cart on a table with the wheels facing upward.
3. Use a block to push down the wheels so that they are flush with the bottom of the cart.

- Pull out the baseplate from the cart then slowly lift the block off the cart.



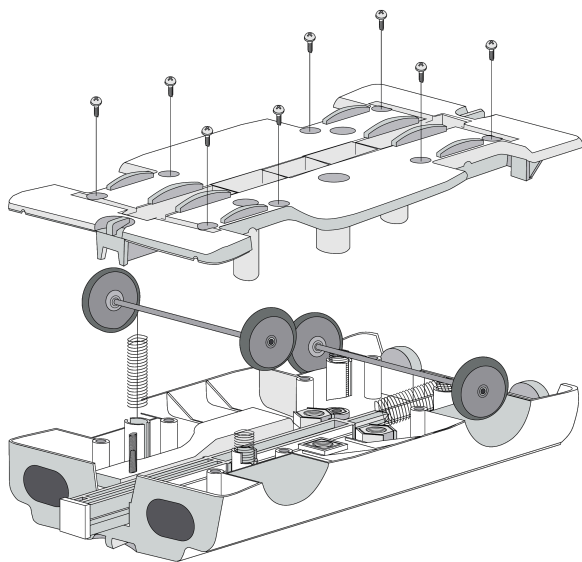
- Remove the old axles and place the new axles over the springs.

Note: Be sure to keep the springs and magnets in the proper orientation. Rearranging or moving any items could change the operational capability of the cart.

- Use the block to depress the new wheels then re-insert the baseplate.
- Use the Phillips head screw driver to re-affix the end cap.

PAScar and GOcar Axle Replacement

CAUTION: Cart springs may eject suddenly when disassembling the cart. Wear safety goggles.



- Using a T10 Torx screwdriver, loosen the screws and remove the bottom cover plate.

Note: The screws are thread-forming screws and may require substantial force to remove and reinstall.

- With the car in a stable position, gently lift the wheel-axle assemblies from the plastic grooves.

Note: Be sure to keep the components such as springs, plunger, nuts and magnets in their proper orientation as shown in the diagram. Rearranging or moving these items could change the operational capability of the PAScar.

- Place the wheel-axle assemblies over the suspension springs.
- Place the bottom plastic cover over the axles. Align the bottom cover flush with the frame. Replace the screws and tighten them until the cover fits snugly against the outside frame.

Note: When replacing the cover, be careful not to knock the plunger trigger release spring or the plunger spring from their holding places.

Technical Support

Contact PASCO Technical Support for assistance with this or any other PASCO product.

Phone 1-800-772-8700 (Option 4)
+1 916 462 8384

Online pasco.com/support

Warranty, Copyright, and Trademarks

Limited Warranty

For a description of the product warranty, see the Warranty and Returns page at www.pasco.com/legal.

Copyright

This document is copyrighted with all rights reserved. Permission is granted to non-profit educational institutions for reproduction of any part of this manual, providing the reproductions are used only in their laboratories and classrooms, and are not sold for profit. Reproduction under any other circumstances, without the written consent of PASCO scientific, is prohibited.

Trademarks

PASCO and PASCO scientific are trademarks or registered trademarks of PASCO scientific, in the United States and/or in other countries. All other brands, products, or service names are or may be trademarks or service marks of, and are used to identify, products or services of, their respective owners. For more information visit www.pasco.com/legal.