

Motor Mount

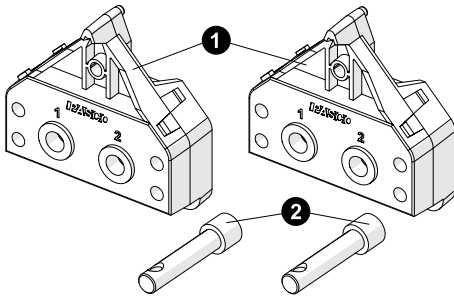
ME-7020

Introduction

The Motor Mount is a fixture used to connect a PASCO motor, such as the High Speed Stepper Motor (PS-2976), to a PASCO structures set.

Components

Included equipment:



- ❶ 2× Motor Mounts
- ❷ 2× shaft spline adapters
- ❸ 8× 4-40 screws (not pictured)

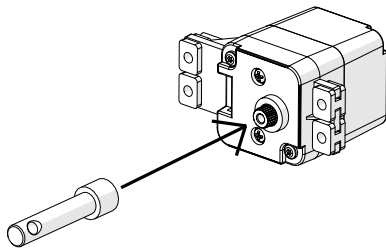
Required equipment:

- Any of the following PASCO motors:
 - High Speed Stepper Motor (PS-2976)
 - Low Speed Stepper Motor (PS-2978)
 - Servo Motor (SE-2975)
 - Continuous Rotation Servo (SE-2977)

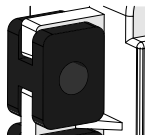
Setup

Connect a motor to the Motor Mount

1. Insert a shaft spline adapter onto the spline on the motor, as shown below.



2. Make sure that the four black grommets are attached to the motor, with the flat side facing out, as shown below. If they are not, install them.



3. Slide the shaft spline adapter through one of the large holes on the Motor Mount. Position the motor so the grommets line up with the four small holes in the Motor Mount, as shown in Figure 1.

TIP: Pay attention to which hole is being used, as some experiments may call for the motor to be in a specific orientation.

4. Use four 4-40 screws to secure the motor bracket to the motor, as shown in Figure 1.

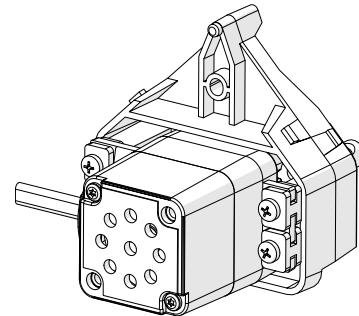


Figure 1. Attaching a motor to the Motor Mount.

Connect the Motor Mount to a structure

You can attach the Motor Mount to a connector or full-round connector in a PASCO structures set. To do this, align the hole in the triangular top of the Motor Mount with one of the holes in the connector, then insert a screw (provided with the structures set) into the hole and tighten to secure, as shown in Figure 2. Note that the triangular top includes a small circular pin which fits neatly into an indentation on the connector, making it easier to align and secure the two components.

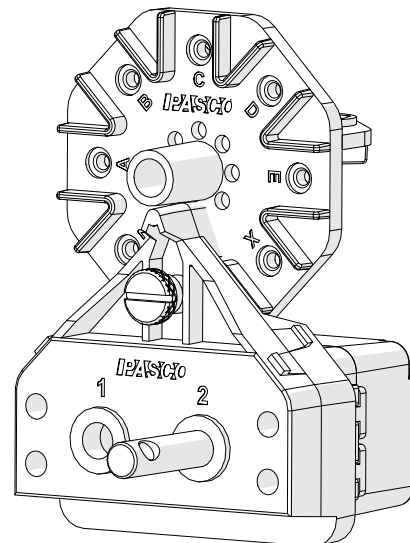


Figure 2. The Motor Mount attached to a full-round connector.

Technical support

Need more help? Our knowledgeable and friendly Technical Support staff is ready to answer your questions or walk you through any issues.

- 🗨 Chat [pasco.com](https://www.pasco.com)
- 📞 Phone 1-800-772-8700 x1004 (USA)
+1 916 462 8384 (outside USA)
- ✉ Email support@pasco.com

Limited warranty

For a description of the product warranty, see the Warranty and Returns page at www.pasco.com/legal.

Copyright

This document is copyrighted with all rights reserved. Permission is granted to non-profit educational institutions for reproduction of any part of this manual, providing the reproductions are used only in their laboratories and classrooms, and are not sold for profit. Reproduction under any other circumstances, without the written consent of PASCO scientific, is prohibited.

Trademarks

PASCO and PASCO scientific are trademarks or registered trademarks of PASCO scientific, in the United States and in other countries. All other brands, products, or service names are or may be trademarks or service marks of, and are used to identify, products or services of, their respective owners. For more information visit www.pasco.com/legal.