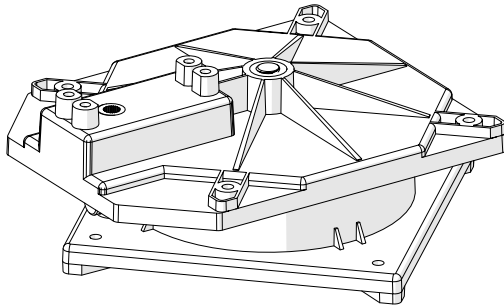


Turntable

ME-7024

Introduction

The Turntable is designed to be attached to a PASCO motor, including the High Speed Stepper Motor (PS-2976), Low Speed Stepper Motor (PS-2978), Servo Motor (SE-2975), or Continuous Rotation Servo (SE-2977). When attached, the Turntable will rotate in response to the rotation of the motor, allowing it to serve as a rotating base for certain PASCO Structures sets, such as cranes. The Turntable comes with all of its components already connected; with the exception of attaching the motor, no assembly is required.



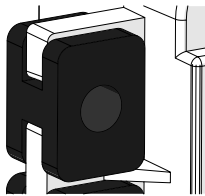
Included equipment:

- Turntable (ME-7024)
- 4× 4-40 screws

Attaching the motor

Follow the steps below to connect the Turntable to a PASCO motor.

1. Ensure that the four black grommets are attached to the motor with the flat side facing out, as shown below. If they are not, install them.



2. Turn the Turntable over so that the socket of the shaft spline adapter included in the Turntable faces upward.
3. Align the motor with the four threaded holes on the underside of the Turntable, then insert the motor spline into the shaft spline adapter socket, as shown in Figure 1. Note that, because of the placement of the socket, the motor has only one valid orientation for attachment.
4. Insert four 4-40 screws into the threaded holes in the Turntable through the black grommets on the motor, as shown in Figure 1. Tighten the screws to secure the motor to the Turntable.

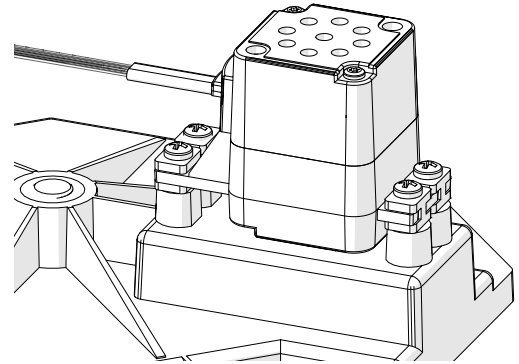
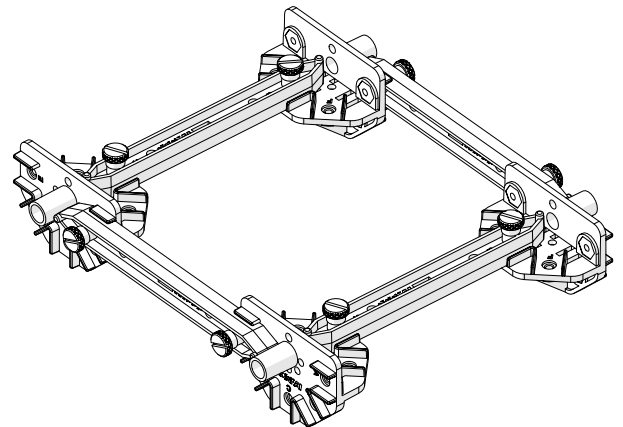


Figure 1: Attaching a motor to the Turntable.

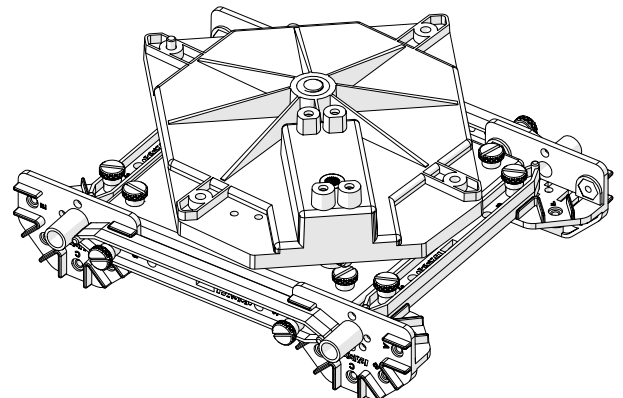
Attaching to a structure

The Turntable has points of attachment that fit a square formed of #3 I-beams, of the kind found within a PASCO Structures set. To attach the Turntable in this way, follow these steps:

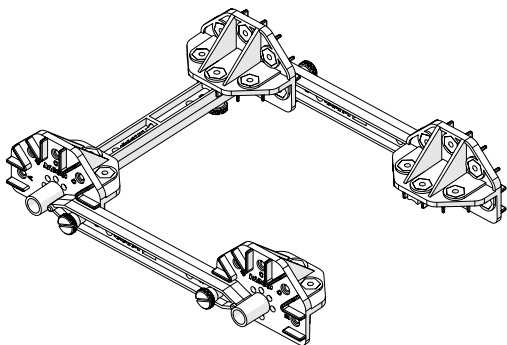
1. Create a square of #3 I-beams, connected to each other using connector components and screws (supplied with the structures set), as shown below.



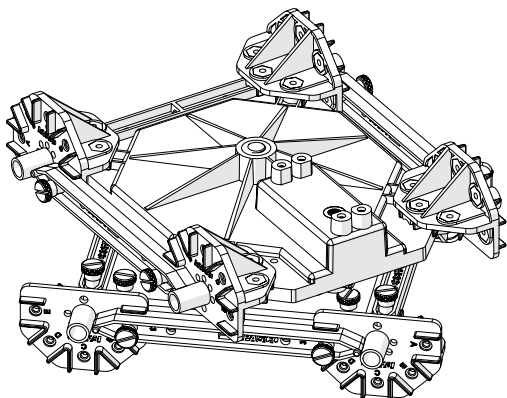
2. Place the Turntable onto the square of I-beams so that the four holes in the lower portion of the Turntable align with holes in the connector components. Insert four screws into these holes as shown below.



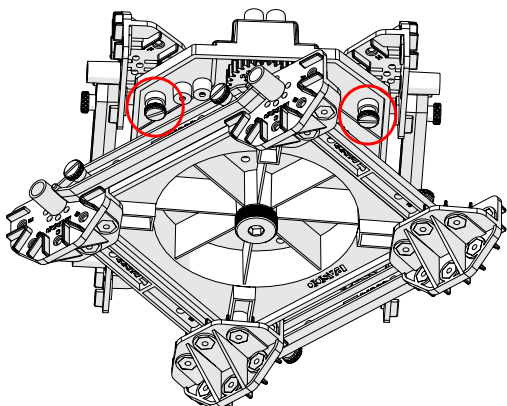
3. Construct a second square of #3 I-beams using connectors and screws. This time, leave out one of the I-beams to create an opening, as shown below.



4. Place the second square of I-beams onto the top of the Turntable as shown below. The gap in the square will provide space for the part of the Turntable which connects to the motor.



5. Insert screws into the four holes on the underside of the top portion of the Turntable, as shown below (circled in red). Tighten to secure the Turntable to the connector components.



Technical support

Need more help? Our knowledgeable and friendly Technical Support staff is ready to answer your questions or walk you through any issues.

- Chat [pasco.com](https://www.pasco.com)
- Phone 1-800-772-8700 x1004 (USA)
+1 916 462 8384 (outside USA)
- Email support@pasco.com

Limited warranty

For a description of the product warranty, see the Warranty and Returns page at www.pasco.com/legal.

Copyright

This document is copyrighted with all rights reserved. Permission is granted to non-profit educational institutions for reproduction of any part of this manual, providing the reproductions are used only in their laboratories and classrooms, and are not sold for profit. Reproduction under any other circumstances, without the written consent of PASCO scientific, is prohibited.

Trademarks

PASCO and PASCO scientific are trademarks or registered trademarks of PASCO scientific, in the United States and in other countries. All other brands, products, or service names are or may be trademarks or service marks of, and are used to identify, products or services of, their respective owners. For more information visit www.pasco.com/legal.