

2.2 m Aluminum Dynamics Track

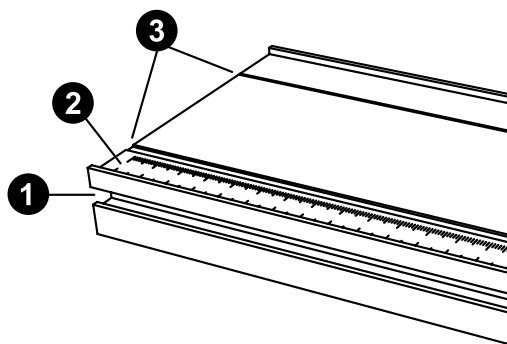
ME-9779

Introduction

The 2.2 m Aluminum Dynamics Track can be used with any PASCO dynamics cart and a variety of accessories. The track is perfectly designed to accommodate the Smart Cart (ME-1240 or ME-1241), PAScar (ME-6933 or ME-6934), Plunger Cart (ME-9430), or Collision Cart (ME-9454) and includes a metric scale for ease of position measurement.

NOTE: The track is designed to support the weight of carts and related apparatus, but excess weight will warp the track. When you store the track, ensure that no heavy objects will be placed on top of it.

Features



1 T-slot

Use to attach track accessories such as Dynamics Track Feet (ME-8972) or a Dynamics Track End Stop (ME-8971) to the track.

2 Metric scale

Use to measure the position of objects on the track.

3 Grooves

Guide the wheels of a PASCO dynamics cart.

Technical support

Need more help? Our knowledgeable and friendly Technical Support staff is ready to answer your questions or walk you through any issues.

Chat [pasco.com](https://www.pasco.com)

Phone 1-800-772-8700 x1004 (USA)
+1 916 462 8384 (outside USA)

Email support@pasco.com

Limited warranty

For a description of the product warranty, see the Warranty and Returns page at www.pasco.com/legal.

Copyright

This document is copyrighted with all rights reserved. Permission is granted to non-profit educational institutions for reproduction of any part of this manual, providing the reproductions are used only in their laboratories and classrooms, and are not sold for profit. Reproduction under any other circumstances, without the written consent of PASCO scientific, is prohibited.

Trademarks

PASCO and PASCO scientific are trademarks or registered trademarks of PASCO scientific, in the United States and in other countries. All other brands, products, or service names are or may be trademarks or service marks of, and are used to identify, products or services of, their respective owners. For more information visit www.pasco.com/legal.