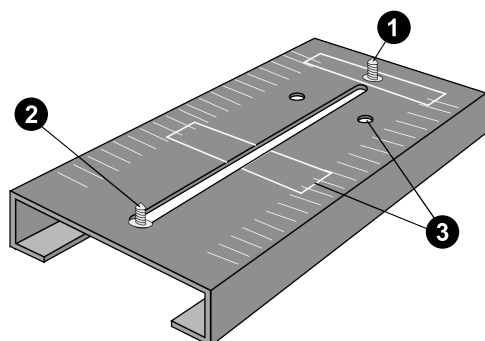


Helmholtz Coil Base (EM-6715)

Introduction

The Helmholtz Coil Base (EM-6715) allows you to mount and change the distance between PASCO field coils. The base has a slot that allows the coils to be separated by any distance between 3 cm and 20 cm. Two rectangular boxes are marked on the base at a 10 cm separation distance to denote the recommended placement of the coils. The Wireless Magnetic Field Sensor (PS-3221) can be used to measure the magnetic field strength for various positions both inside and outside the Field Coils.

Features



- ❶ Mounting screw (0 cm fixed position)
- ❷ Mounting screw (adjustable position)
- ❸ Rectangular boxes (for recommended coil position)

Required Equipment:

- 200-Turn Field Coil (EM-6711A) or 500-Turn Field Coil (EM-6723A)

Recommended Equipment:

- Wireless Magnetic Field Sensor (PS-3221)
- Linear Motion Accessory (CI-6688A)
- Rotary Motion Sensor (CI-6538)
- Power Supply (18 VDC, 5 A) (SE-9720A)
- Base and Support Rod (ME-9355)
- 850 Universal Interface (UI-5000) or 550 Universal Interface (UI-5001)
- PASCO Capstone or SPARKvue

Mounting the Helmholtz Coils on the Helmholtz Coil Base

1. Place the first coil over the rectangular slot on the end of the base (0 cm position). Use the provided cap screw to secure the mount firmly against the top surface of the base. (See Figure 1.)
2. Attach the second coil to the cap screw provided in the center slot on the base. Slide the coil to the desired position, then secure the mount firmly against the top surface of the base. (See Figure 2.)

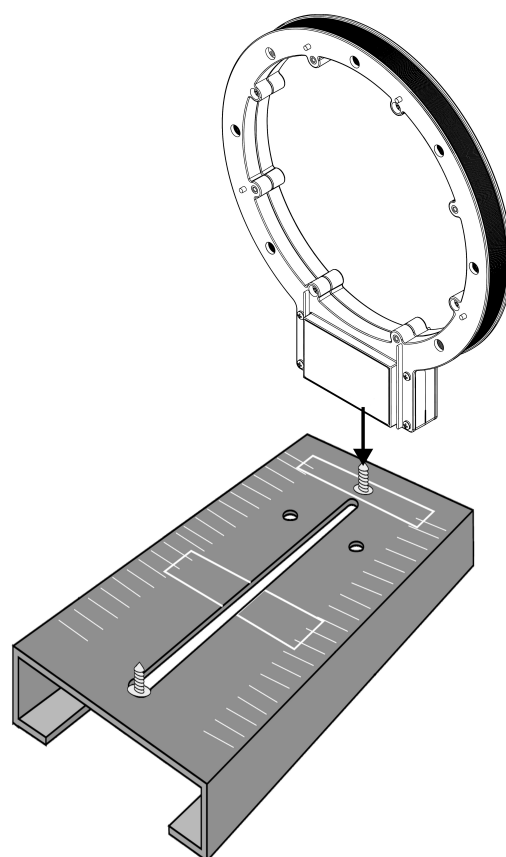


Figure 1. Attaching the fixed position coil

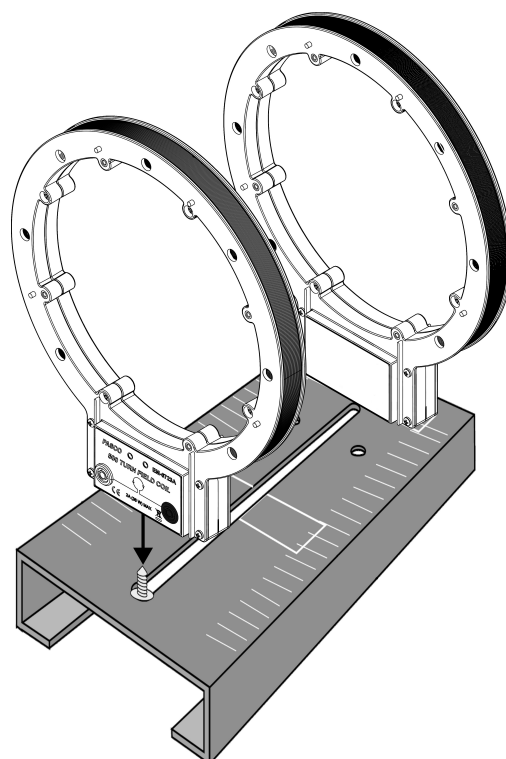


Figure 2. Attaching the adjustable coil

The separation distance between the two rectangular boxes on the base is 10.2 cm, which is equal to the approximate radius of the field coils. A uniform magnetic field can be generated between the coils when the two coils are placed a distance of 10.2 cm (1 radius) apart. (See Figure 3.)



TIP: Mount the coils with the banana jacks facing away from each other, as shown in the illustrations, to allow the coils to be slid directly next to each other if needed.

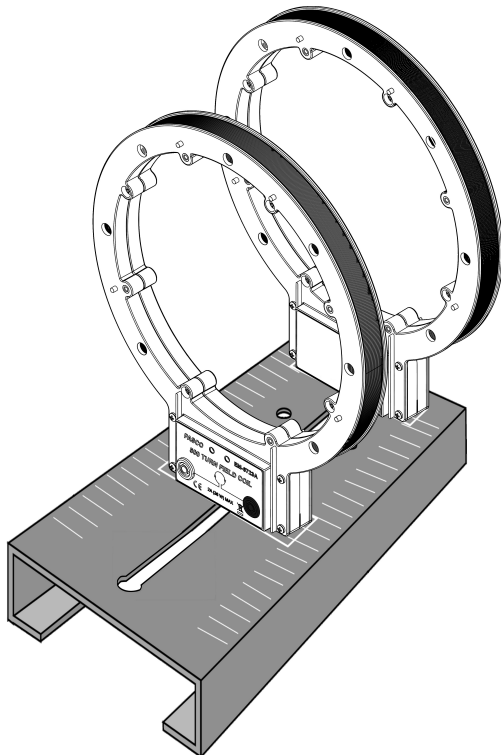


Figure 3. Coils positioned in the base

Specifications and accessories

Visit the product page at [pasco.com/product/EM-6715](https://www.pasco.com/product/EM-6715) to view the specifications and explore accessories. You can also download and support documents from the product page.

Technical support

Need more help? Our knowledgeable and friendly Technical Support staff is ready to answer your questions or walk you through any issues.

- Chat [pasco.com](https://www.pasco.com)
- Phone 1-800-772-8700 x1004 (USA)
+1 916 462 8384 (outside USA)
- Email support@pasco.com

Regulatory information

Limited warranty

For a description of the product warranty, see the Warranty and Returns page at www.pasco.com/legal.

Copyright

This document is copyrighted with all rights reserved. Permission is granted to non-profit educational institutions for reproduction of any part of this manual, providing the reproductions are used only in their laboratories and classrooms, and are not sold for profit. Reproduction under any other circumstances, without the written consent of PASCO scientific, is prohibited.

Trademarks

PASCO and PASCO scientific are trademarks or registered trademarks of PASCO scientific, in the United States and in other countries. All other brands, products, or service names are or may be trademarks or service marks of, and are used to identify, products or services of, their respective owners. For more information visit www.pasco.com/legal.