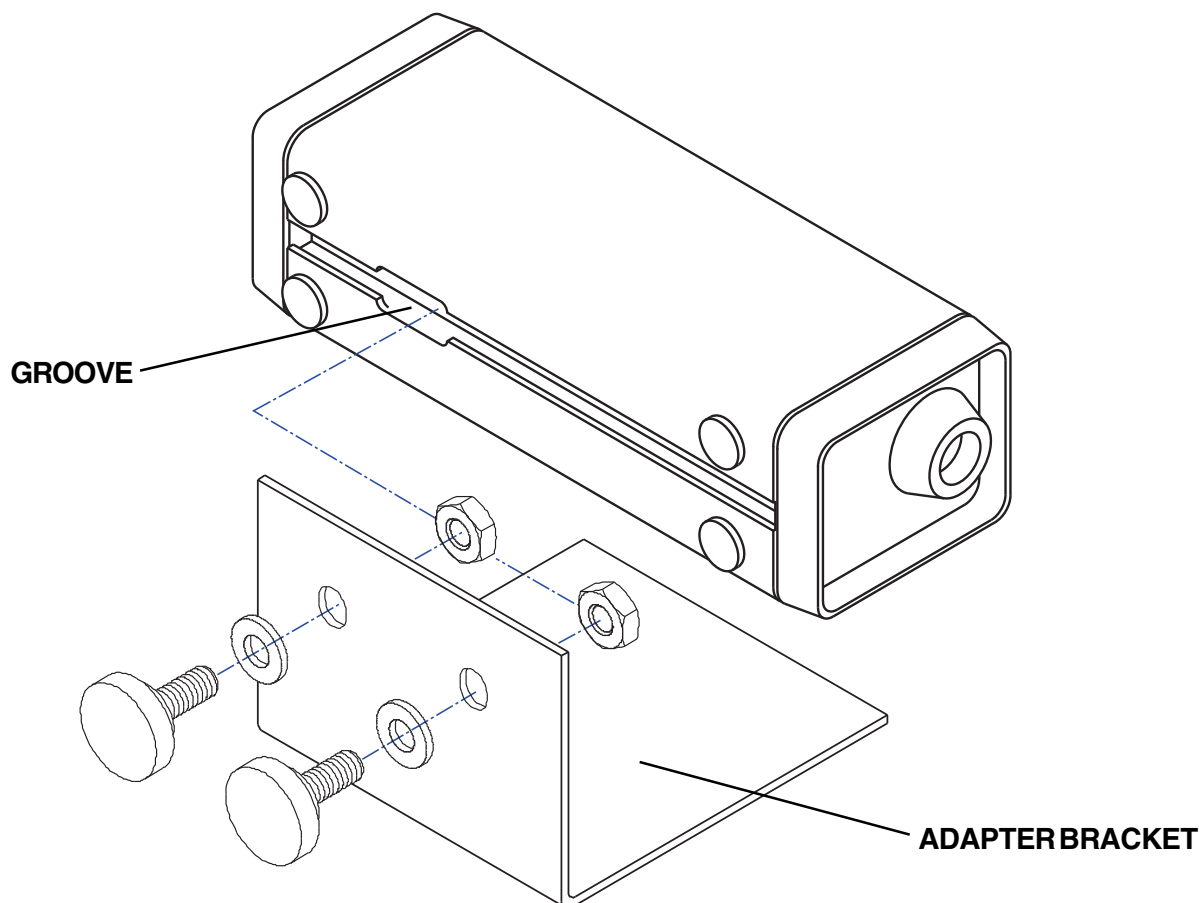


**Instruction Sheet  
for the PASCO  
Model OS-8514**

## LASER ADAPTER KIT



### Introduction

The PASCO OS-8514 Laser Adapter Kit adapts the PASCO SE-9367 Mini Laser for use with all PASCO optics systems.

#### INCLUDED

- (1) 648-07092 adapter bracket
- (2) 617-008 thumbscrews
- (2) 614-088 jam nuts
- (2) 615-010 fiber washers

### Setup Procedure

1. Place jam nuts, flat side outward, into the groove on the bottom of the Mini Laser.
2. Looking at the back of the laser, line up the bracket's holes with the nuts so the adapter bracket comes up the left side of the laser.
3. Insert the thumbscrews with washers and finger tighten.

© 1999 PASCO scientific

## Limited Warranty

PASCO scientific warrants the product to be free from defects in materials and workmanship for a period of one year from the date of shipment to the customer. PASCO will repair or replace, at its option, any part of the product which is deemed to be defective in material or workmanship. The warranty does not cover damage to the product caused by abuse or improper use. Determination of whether a product failure is the result of a manufacturing defect or improper use by the customer shall be made solely by PASCO scientific. Responsibility for the return of equipment for warranty repair belongs to the customer. Equipment must be properly packed to prevent damage and shipped postage or freight prepaid. (Damage caused by improper packing of the equipment for return shipment will not be covered by the warranty.) Shipping costs for returning the equipment after repair will be paid by PASCO scientific.

Address: PASCO scientific  
10101 Foothills Blvd.  
Roseville, CA 95747-7100

Phone: (916) 786-3800  
FAX: (916) 786-8905  
email: [techsupp@pasco.com](mailto:techsupp@pasco.com)  
web: [www.pasco.com](http://www.pasco.com)